

IDD-930160-KIT DC/DC Converter Module

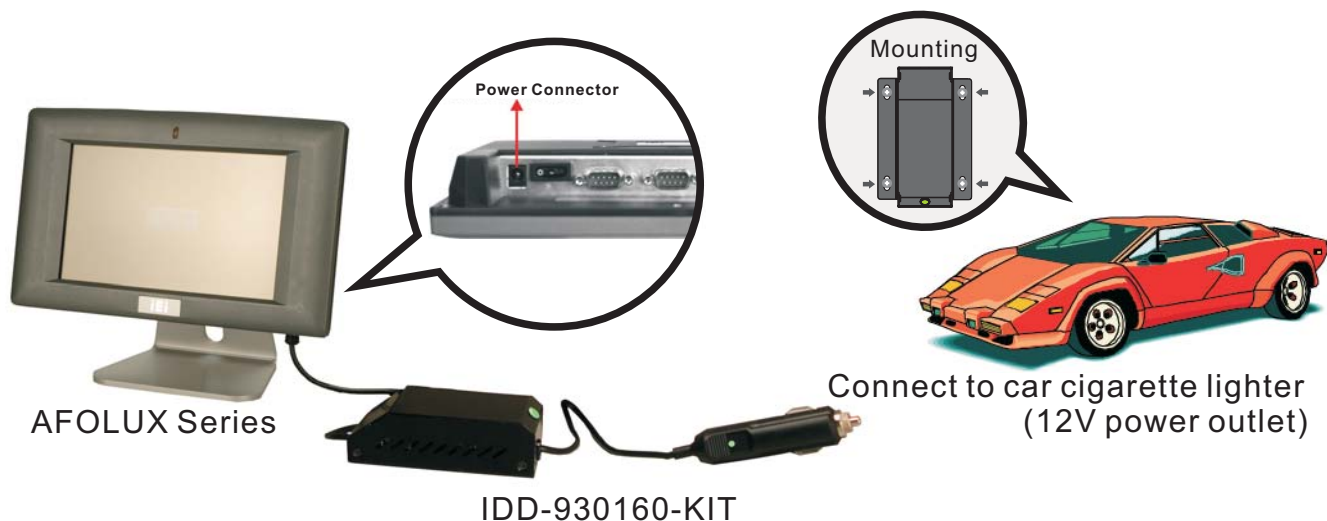
Specifications

- Input: 9-30VDC
- Output: 12V@5A
- Max. Total Output: 60W
- Performance Characteristics:
 - Noise & Ripple: <320mV
 - Line Regulation: <120mV
 - Load Regulation: <120mV
 - Efficiency: typ. 95%
($V_{in}=12V$, 80% of full load)
- Dimensions: 42mm x 103mm x 31mm
- Cable Length: 180cm
- Operating Temperature: $-10^{\circ}C \sim 55^{\circ}C$
- Load down protection



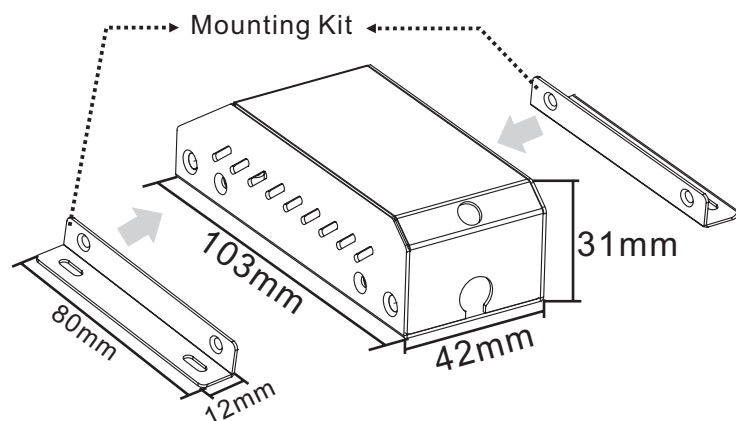
IEI Technology Corp.	
No.29, Jhongsing Rd., Sijhih City, Taipei County 221, Taiwan	
Tel : +886-2-8691-6798	Fax : +886-2-6616-0029
E-mail : sales@iei.com.tw	

9-30V DC Vehicle Power Adapter for AFOLUX Series



Dimensions

- **IDD-930160:** 42mm x 103mm x 31mm
- **Mounting Kit:** 12mm x 80mm
- **Cable Length:** 180cm (90cm each side)



Packing List

- 1 x IDD-930160-KIT
- 1 x Mounting Kit
- 1 x Screw Kit
- 1 x Anti-slip strip
- 1 x Quick Installation Guide

Copyright Notice

The information in this document is subject to change without prior notice in order to improve reliability, design, and function and does not represent a commitment on the part of the manufacturer.

In no event will the manufacturer be liable for direct, indirect, special, incidental, or consequential damages arising out of the use or inability to use the product or documentation, even if advised of the possibility of such damages.

This document contains proprietary information protected by copyright. All rights are reserved. No part of this manual may be reproduced by any mechanical, electronic, or other means in any form without prior written permission of the manufacturer.